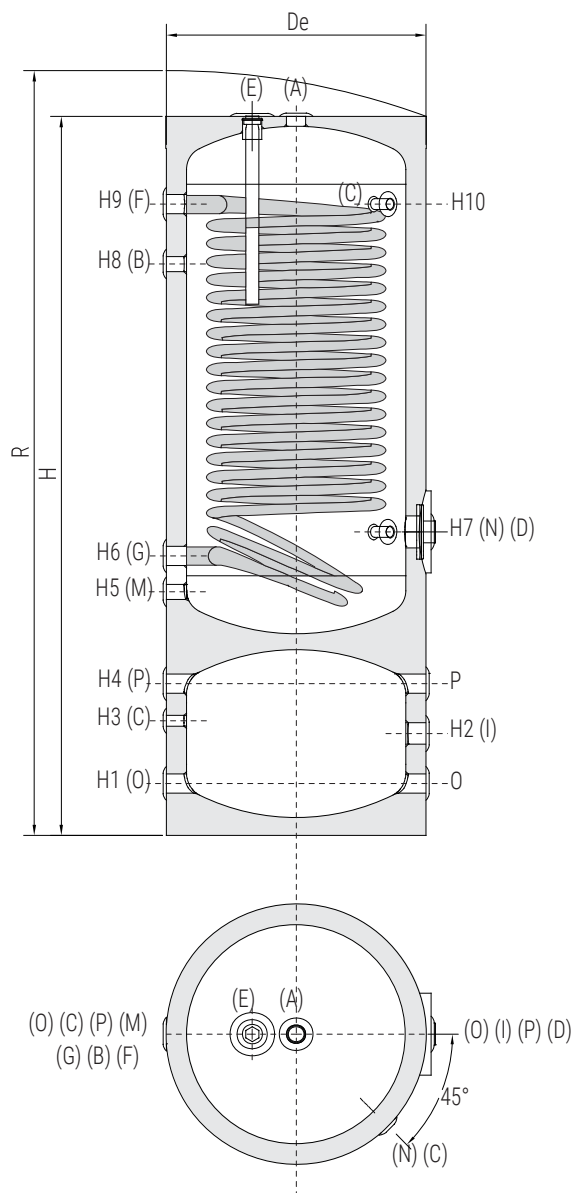
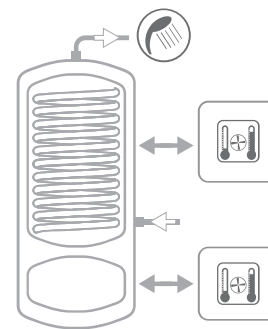


HPC-BTC 300-500 Hőszivattyús használati melegvíz tartály, beépített puffer tartállyal

STORAGE		HEAT EXCHANGER		VOLANO TERMICO	
Pmax	Tmax	Pmax	Tmax	Pmax	Tmax
6 bar	90 °C	12 bar	110 °C	4 bar	-10/+95 °C



A	Domestic hot water outlet 1" 1/4 F
B	Recirculation / Domestic hot water outlet 1" F
C	Connection for instrumentation 1/2" F
D	Connection for electric immersion heater 1" 1/2 F
E	Connection for magnesium anode
F	Primary circuit inlet 1" 1/4 F
G	Primary circuit outlet 1" 1/4 F
I	Connection for electric immersion heater 1" 1/2 F
M	Domestic cold water circuit inlet 1" F
N	Connection for instrumentation 1/2" F
O	Heating return/to generator 1"1/4 F
P	Heating delivery/from generator 1"1/4 F

Model	DHW storage volume	Buffer tank volume	De	H	R	H1	H2	H3	H4	H5	H6
	[lt]										
300	291	86	650	1805	1930	130	255	287	380	610	700
500	498	114	750	1910	2060	145	253	268	361	621	710

Model	H7	H8	H9	H10	A-F-G	B	C-N	M	D-I	P-O
	[mm]				Connections F					
300	760	1431	1581	1581	1"1/4	1"	1/2"	1"	1"1/2	1"1/4
500	775	1515	1675	1675	1"1/4	1"	1/2"	1"	1"1/2	1"1/4